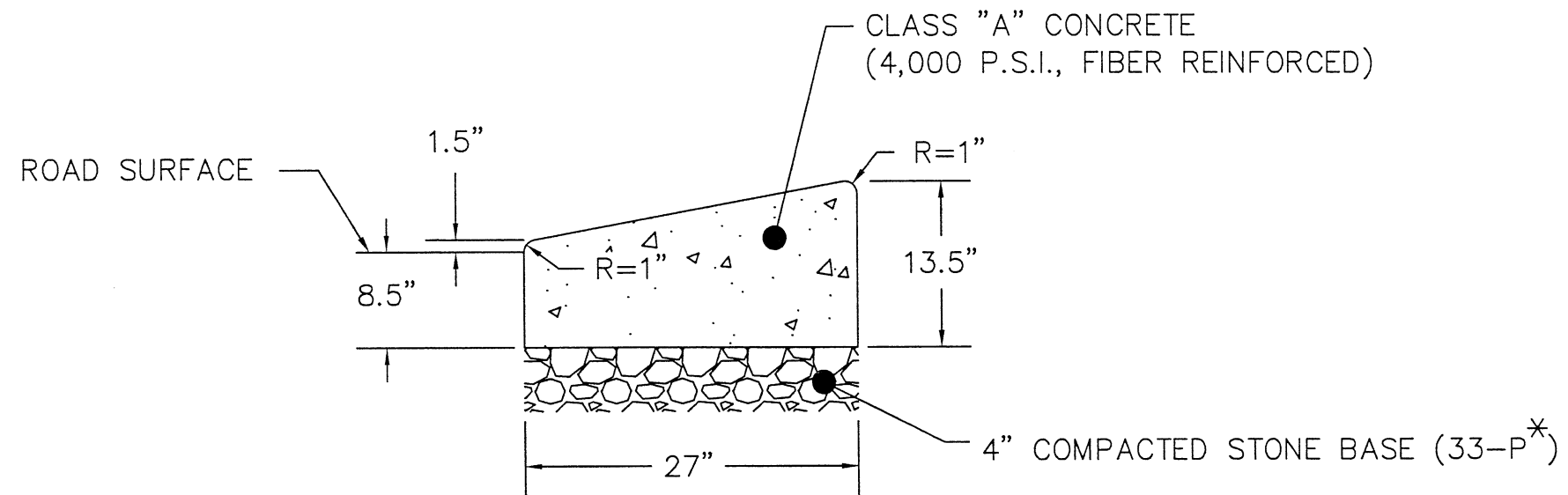
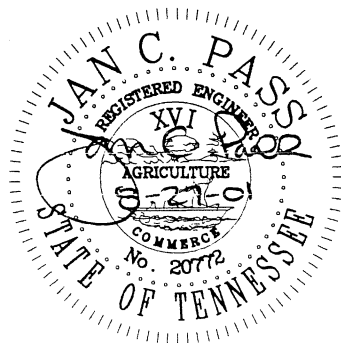
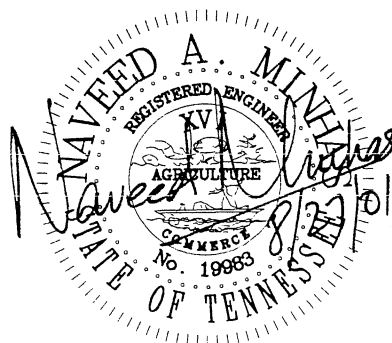


F:\STDDWGS\Curb, Mountable Island\Mountable Island Curb.dwg



TYPICAL SECTION

\* "33-P (PUG)" - 303.01,  
 TYPE A, GRADING D ("33-P"),  
 TENNESSEE D.O.T. SPECIFICATIONS



|     |               |                        |  |  |
|-----|---------------|------------------------|--|--|
|     |               |                        | <b>CITY OF CHATTANOOGA AND HAMILTON COUNTY</b> |  |
|     |               |                        | <i>MOUNTABLE ISLAND CURB</i>                   |  |
|     |               | DATE OF ORIGINAL ISSUE | STANDARD NUMBER : <i>SD-206.01</i>             |  |
|     |               | <i>AUGUST 24, 2001</i> |  |  |
| 0   | INITIAL ISSUE | 8/24/01                |  |  |
| NO. | REVISION      | DATE                   |  |  |