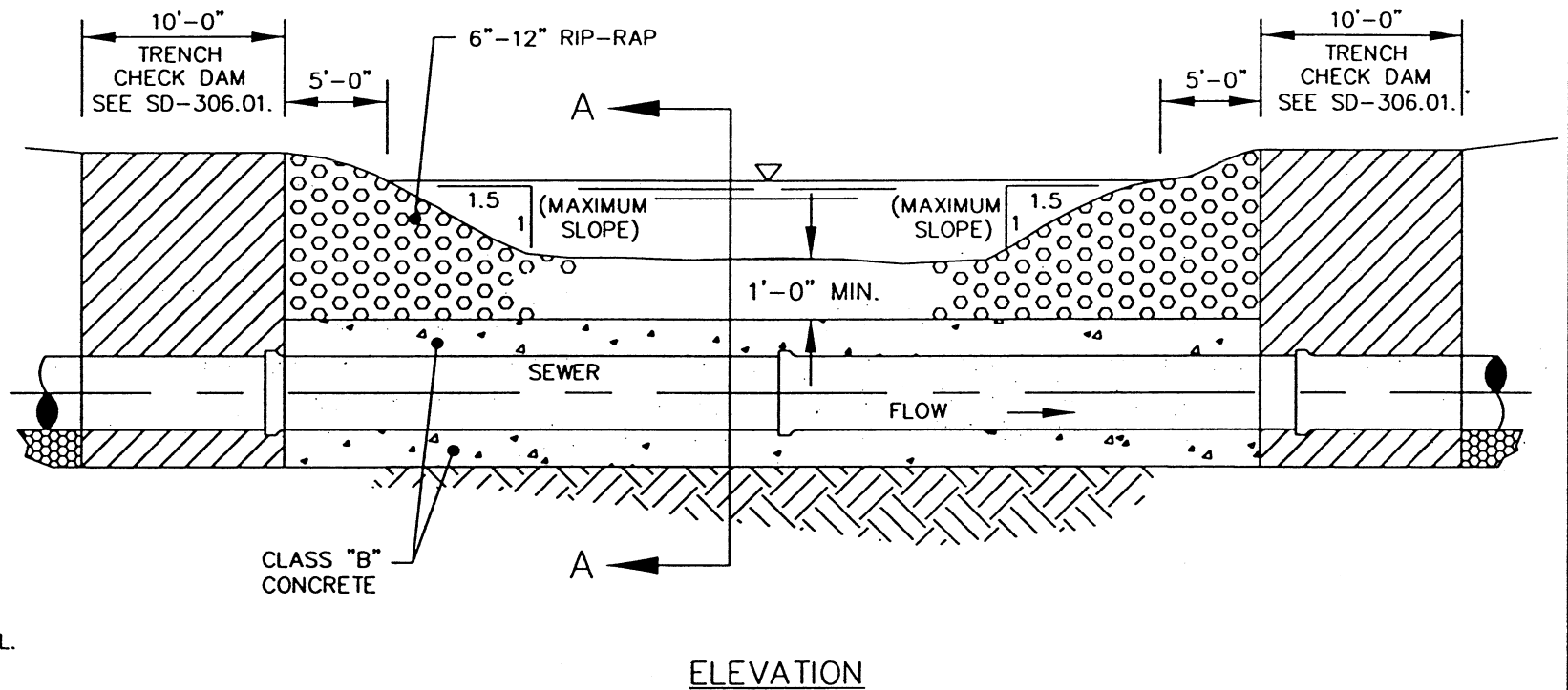
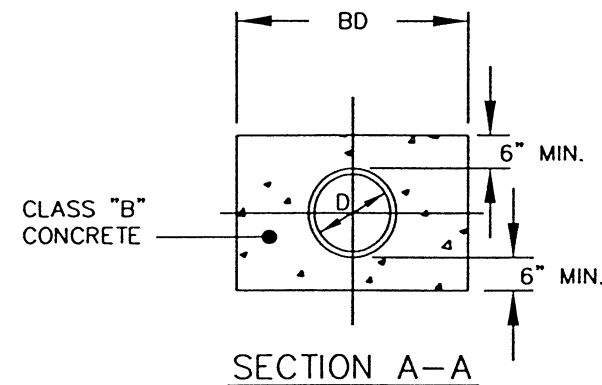


DITCH CROSSING DETAIL



CREEK CROSSING DETAIL

PIPE SIZE "D" (IN)	TRENCH WIDTH "BD" (FT)
6	2.00
8	2.33
10	2.50
12	2.67
15	3.00
18	3.25
24	3.83
30	4.42
36	5.67
42	6.25
48	6.83



CITY OF CHATTANOOGA AND HAMILTON COUNTY		
CREEK AND DITCH CROSSINGS FOR SANITARY SEWERS		
	DATE OF ORIGINAL ISSUE DECEMBER 10, 1999	STANDARD NUMBER: SD-305.01
0 NO.	INITIAL ISSUE REVISION	12/10/99 DATE