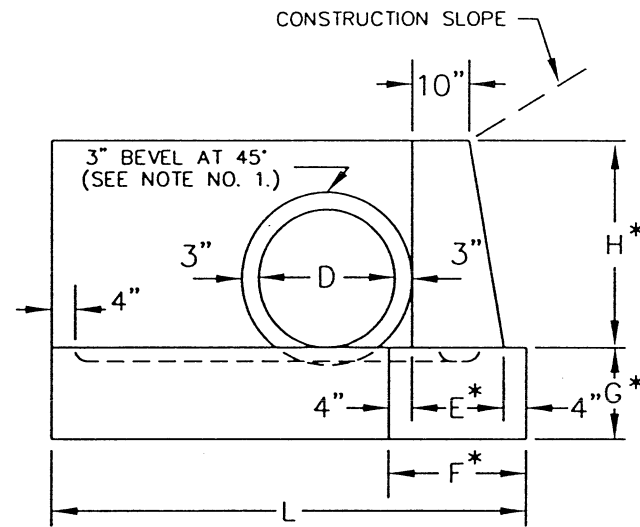
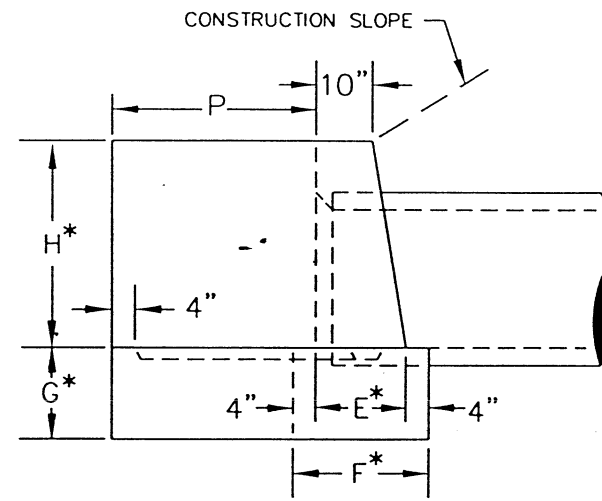


PLAN

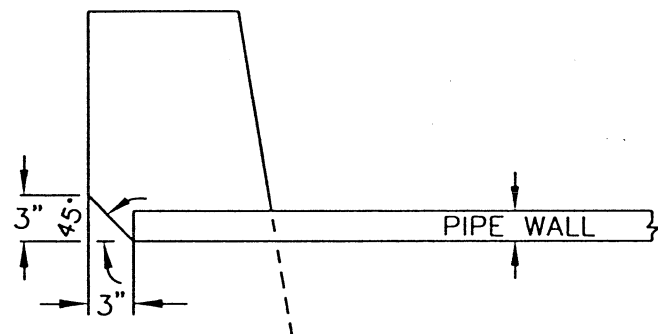


FRONT ELEVATION

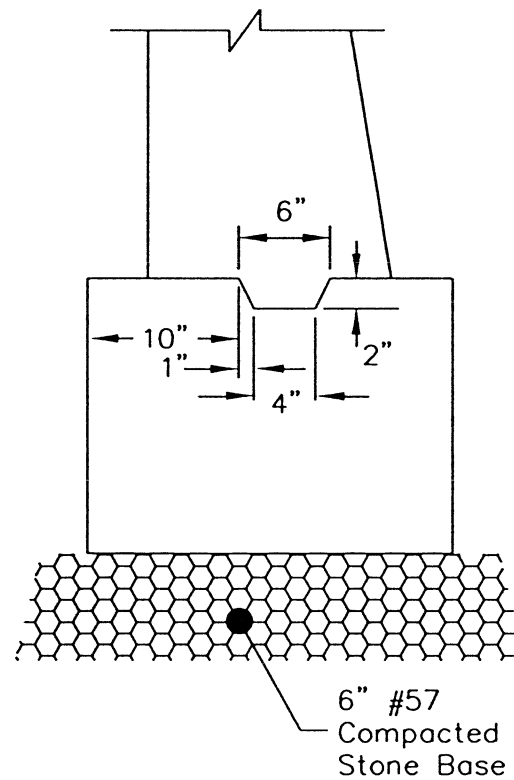


SIDE ELEVATION

TABLE OF DIMENSIONS FOR ONE TYPE "L", CONCRETE ENDWALL		
DIMENSIONS *		
D	P	L
1'-3"	2'-3"	5'-9"
1'-6"	2'-3"	6'-0"
2'-0"	3'-0"	8'-0"
2'-6"	3'-9"	10'-0"



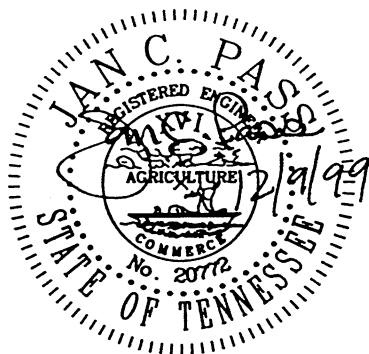
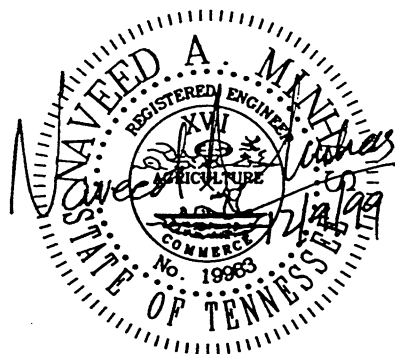
DETAIL OF BEVEL



SECTION C-C
SHOWING CONSTRUCTION JOINT

NOTES

1. ALL TYPE "L", CONCRETE ENDWALLS ON THE INLET END OF THE PIPE AND AT 90° TO THE PIPE SHALL BE BEVELED 3" AT A 45° ANGLE. THE BEVEL WILL NOT BE REQUIRED WHEN THE ENDWALL IS CONSTRUCTED ON THE "BELLED" END OF A CONCRETE PIPE.
2. WHEN MORE THAN ONE LINE OF PIPE IS REQUIRED, THE DISTANCE FROM CENTER TO CENTER OF PIPES SHALL BE (D+1'-0").
3. A 1" CHAMFER SHALL BE USED ON EACH EXPOSED EDGE AND CORNER.
4. ENDWALLS SHALL HAVE #4 BARS AT 12" ON CENTER, EACH WAY, IN THE CENTER OF ALL SLABS AND WALLS.
- * 5. DIMENSIONS NOT SHOWN IN THE TABLE ARE THE SAME AS THOSE FOR A TYPE "S" ENDWALL. SEE SD-601.01.



CITY OF CHATTANOOGA AND HAMILTON COUNTY		
CONCRETE ENDWALL (TYPE "L")		
	DATE OF ORIGINAL ISSUE DECEMBER 10, 1999	STANDARD NUMBER: SD-602.01
0 NO.	INITIAL ISSUE REVISION	12/10/99 DATE