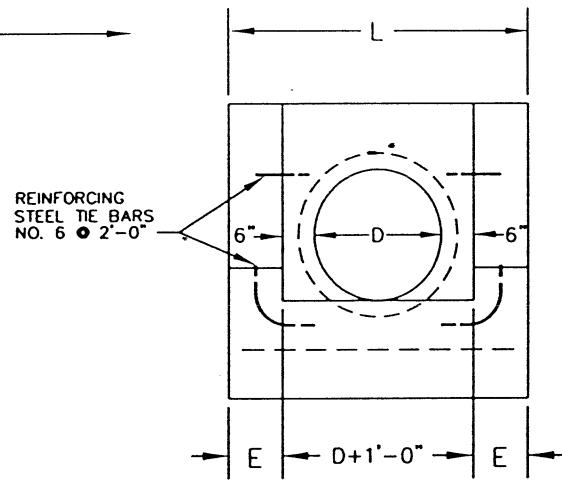
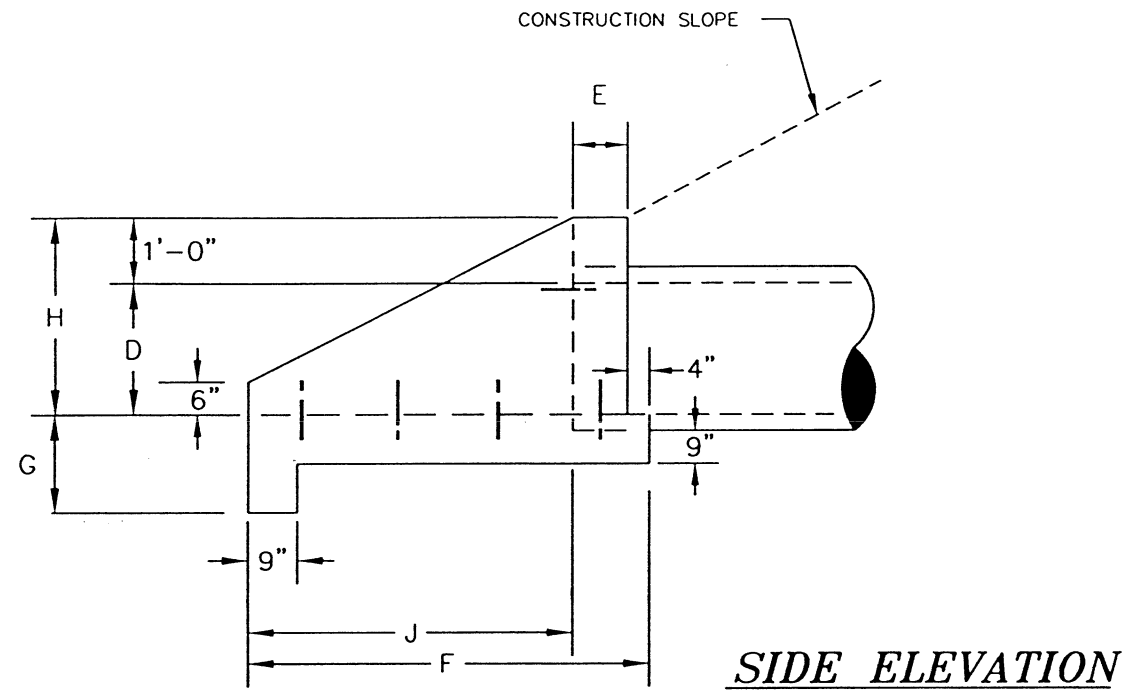


PLAN



FRONT ELEVATION



SIDE ELEVATION

NOTES

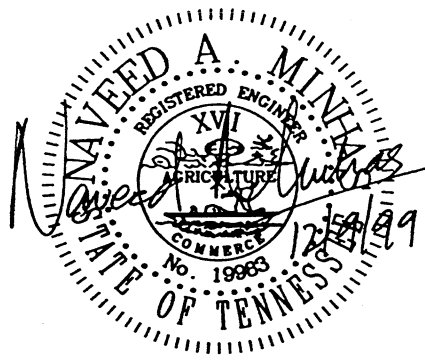
1. WHEN MORE THAN ONE LINE OF PIPE IS REQUIRED, THE DISTANCE FROM CENTER TO CENTER OF PIPES SHALL BE (D+1'-0").
2. A 1" CHAMFER SHALL BE USED ON EACH EXPOSED EDGE AND CORNER.
3. ENDWALLS SHALL HAVE #4 BARS AT 12" ON CENTER, EACH WAY, IN CENTER OF ALL SLABS AND WALLS.

TABLE OF DIMENSIONS
TYPE "U", CONCRETE ENDWALL (SLOPE 1-1/2:1 & 2:1)

DIMENSIONS						
OPENING	WALL			FOOTING		
D	L	H	E	J	F	G
1'-3"	3'-9"	2'-3"	9"	4'-0"	5'-1"	1'-3"
1'-6"	4'-0"	2'-6"	9"	4'-0"	5'-1"	1'-3"
2'-0"	4'-8"	3'-0"	10"	5'-0"	6'-2"	1'-6"
2'-6"	5'-2"	3'-6"	10"	6'-0"	7'-2"	1'-6"

TABLE OF DIMENSIONS
TYPE "U", CONCRETE ENDWALL (SLOPE 3:1 OR FLATTER)

DIMENSIONS						
OPENING	WALL			FOOTING		
D	L	H	E	J	F	G
1'-3"	3'-9"	2'-3"	9"	6'-0"	7'-1"	1'-3"
1'-6"	4'-0"	2'-6"	9"	6'-0"	7'-1"	1'-3"
2'-0"	4'-8"	3'-0"	10"	7'-6"	8'-8"	1'-6"
2'-6"	5'-2"	3'-6"	10"	9'-0"	10'-2"	1'-6"



CITY OF CHATTANOOGA AND HAMILTON COUNTY		
CONCRETE ENDWALL (TYPE "U")		
0	INITIAL ISSUE	12/10/99
NO.	REVISION	DATE
DATE OF ORIGINAL ISSUE DECEMBER 10, 1999		STANDARD NUMBER: SD-603.01