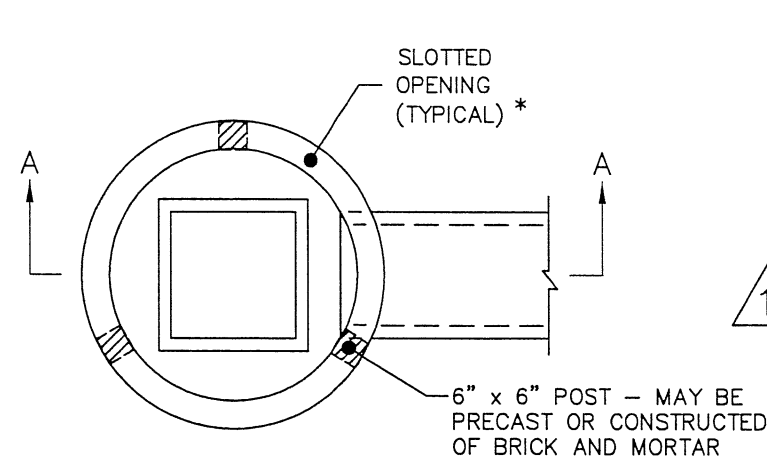


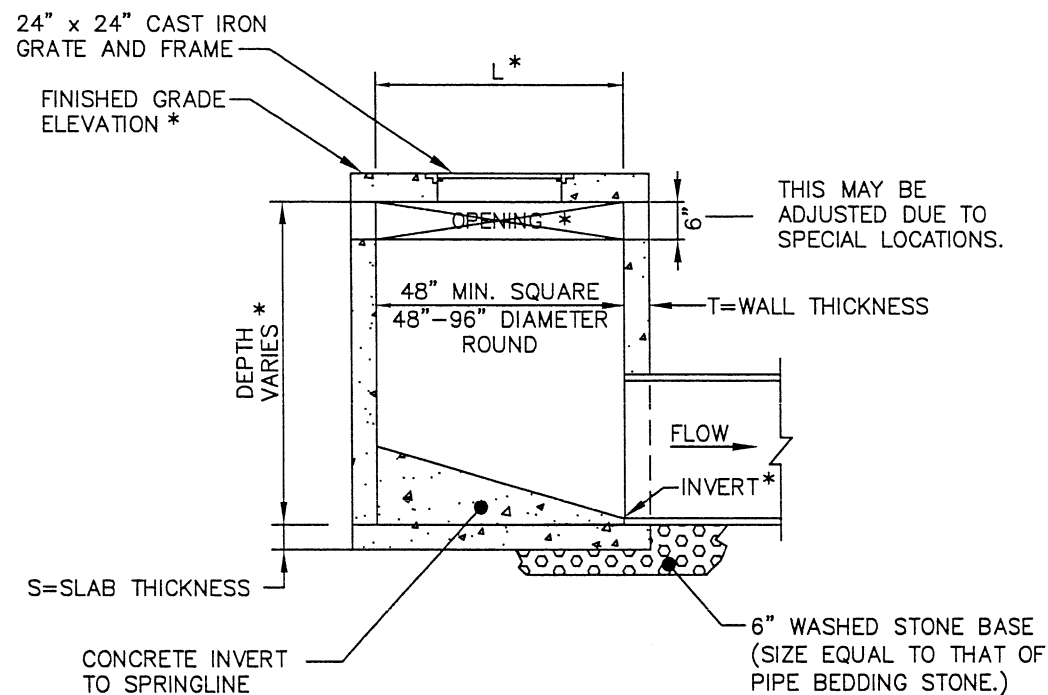
PLAN
SQUARE BASIN
(48" x 48" MINIMUM) **



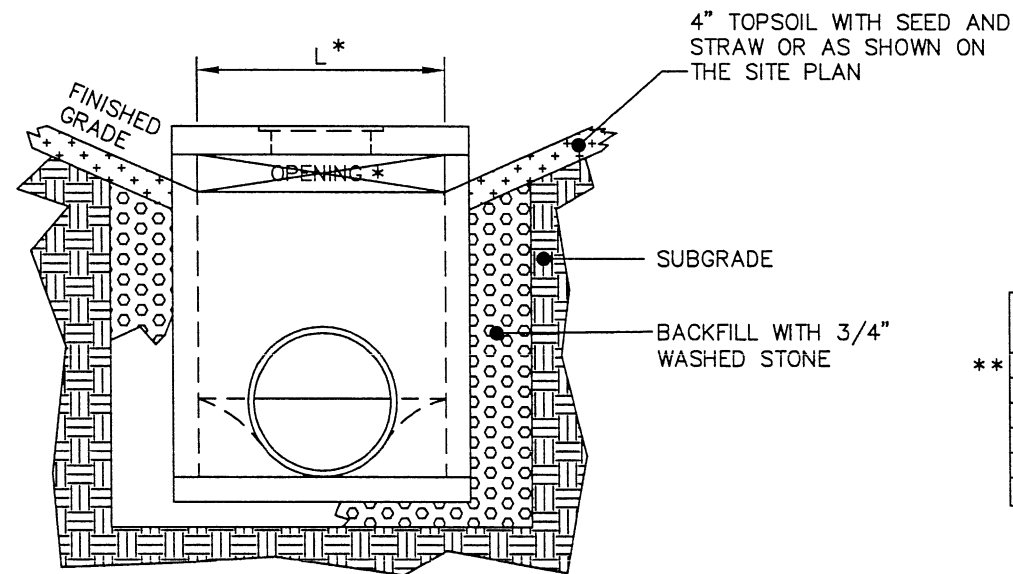
PLAN
ROUND MANHOLE TYPE
(48" DIAMETER - 96" DIAMETER)

NOTES

1. STEPS SHALL BE PROVIDED WHEN THE DEPTH OF THE STRUCTURE IS GREATER THAN 4'-0". STEPS SHALL BE PLACED ON 16" CENTERS.
2. SQUARE INLETS MAY HAVE FOUR OPENINGS AND MAY BE LOCATED ON ANY OR ALL SIDES. ROUND-MANHOLE-TYPE DROP INLETS MAY HAVE A MAXIMUM OF THREE OPENINGS.
- ** 3. SQUARE INLETS SHALL MEET A.S.T.M. C 913 REQUIREMENTS FOR WALL THICKNESS, SLAB THICKNESS, CONCRETE STRENGTH, AND STEEL REINFORCEMENT REQUIREMENTS. ROUND INLETS SHALL MEET A.S.T.M. C 478.
4. THE TOP AND ITS SUPPORTS MAY BE PRECAST AS ONE UNIT.



SECTION A-A



SIDE VIEW

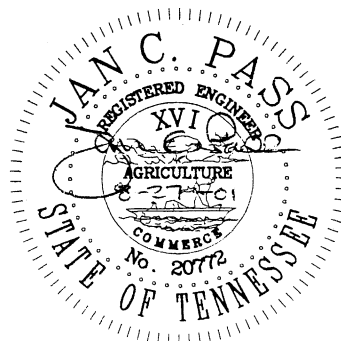
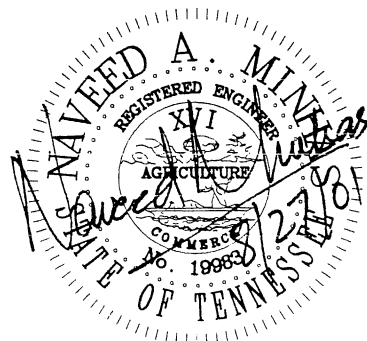
STRUCTURE TYPE	(T) WALL THICKNESS	(S) SLAB THICKNESS
** 48" x 48"	8"	8"
48" DIAM.	5"	6"
60" DIAM.	6"	8"
72" DIAM.	7"	8"
84" DIAM.	8"	8"
96" DIAM.	8"	8"

* SEE SITE-SPECIFIC PLANS AND PROFILES FOR 'L', DEPTHS, ELEVATIONS, AND NUMBER AND LOCATIONS OF OPENINGS.

** LARGER SIZES MEETING A.S.T.M. C 913 REQUIREMENTS ARE AVAILABLE UPON REQUEST.



F:\New Folder\detail-1.dwg



NO.	REVISION	DATE
1	REVISIONS AS MARKED OR CLOUDED	8/24/01
0	INITIAL ISSUE	12/10/99

CITY OF CHATTANOOGA AND HAMILTON COUNTY
DROP INLET (PRECAST CONCRETE)

DATE OF ORIGINAL ISSUE
DECEMBER 10, 1999

STANDARD NUMBER: **SD-607.01**