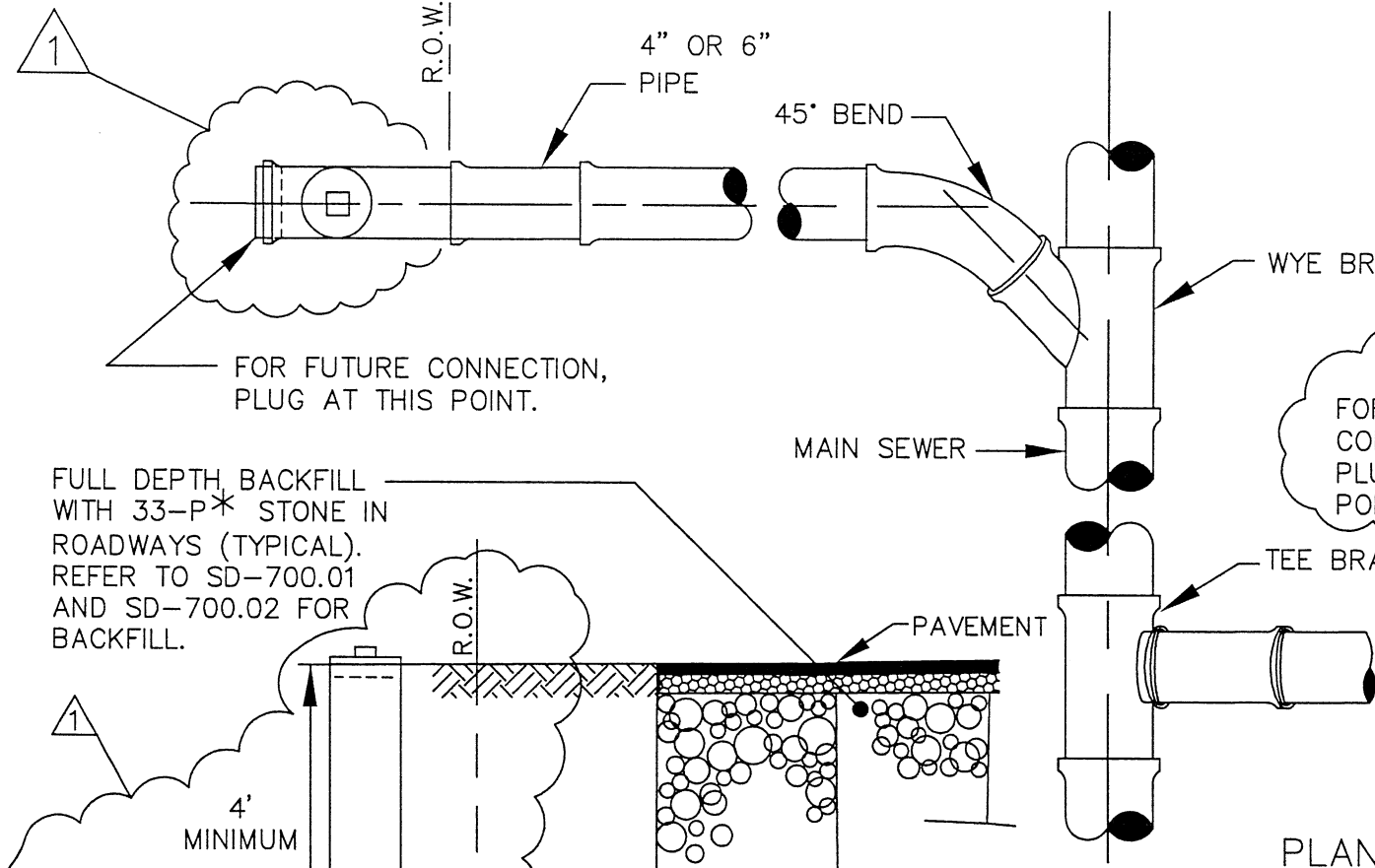
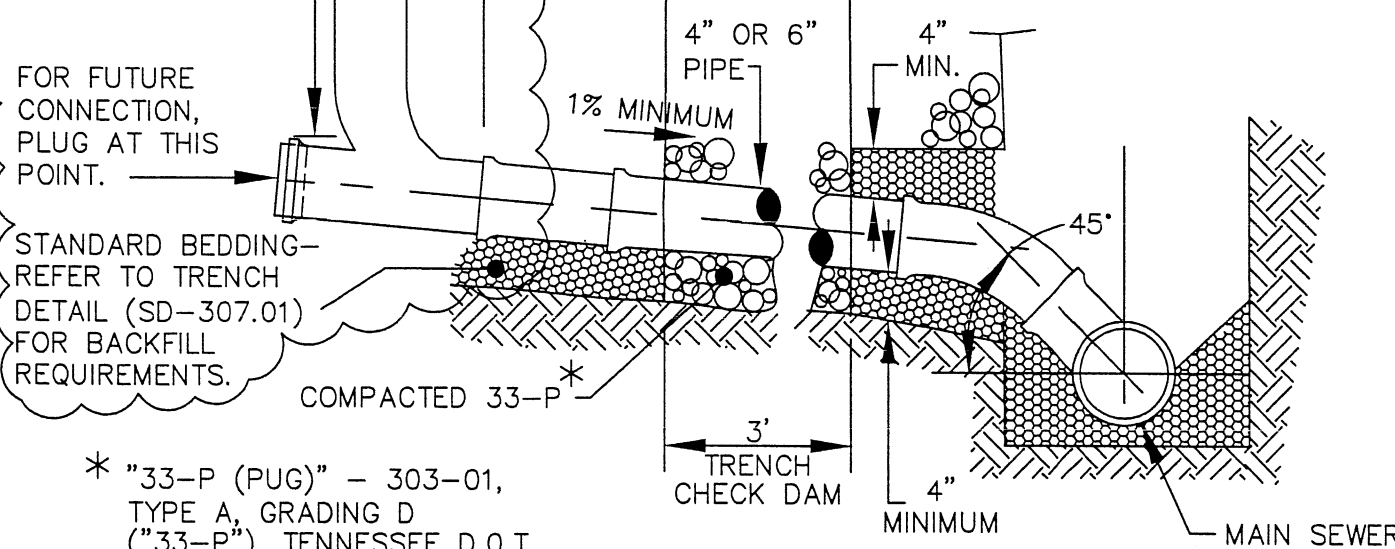


F:\STDDWGS\TrenchDetails-County-Combined\_1.dwg

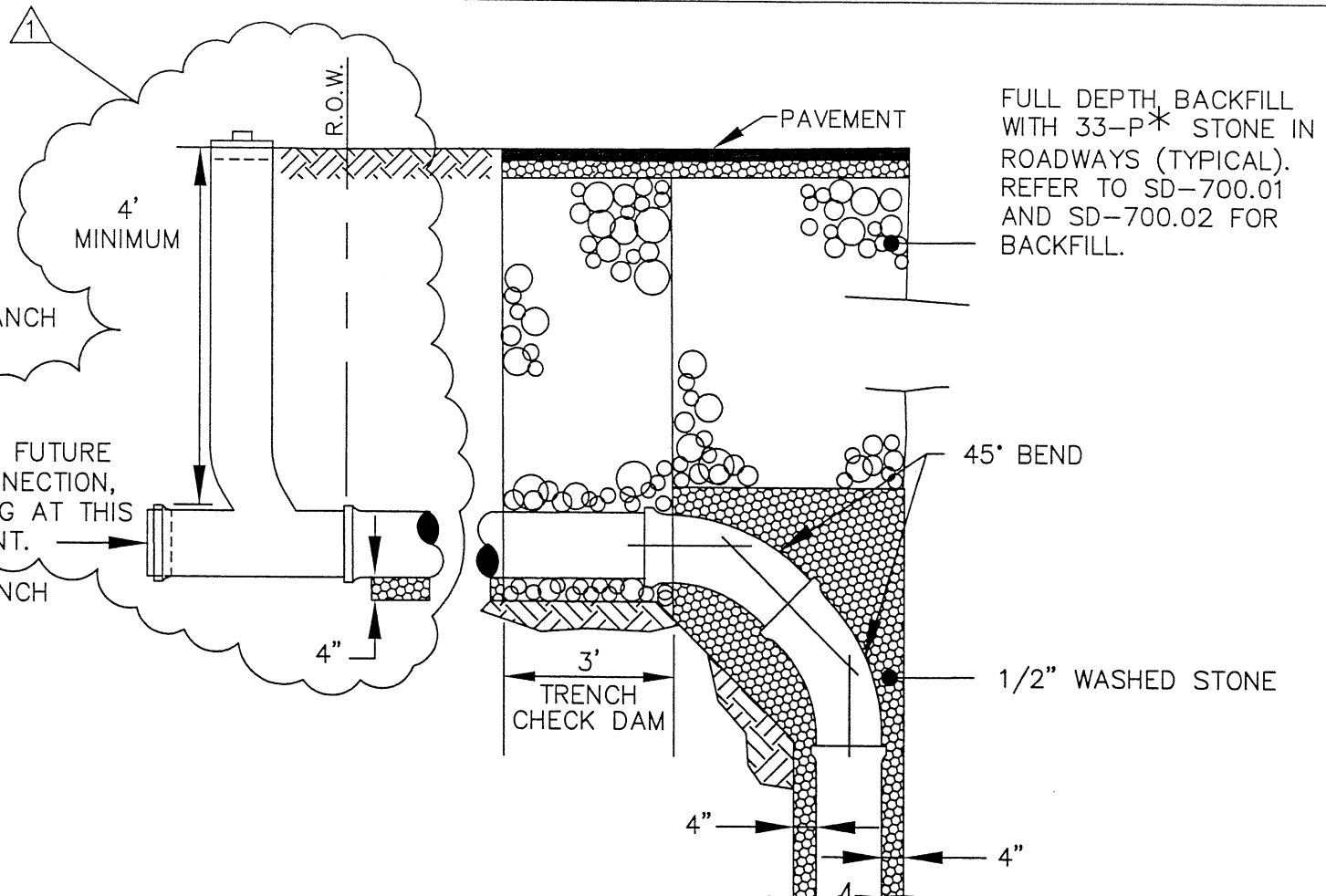


PLAN



PROFILE

**SHALLOW SEWER**

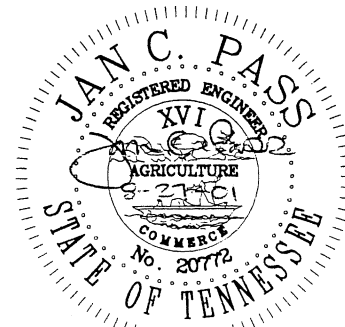
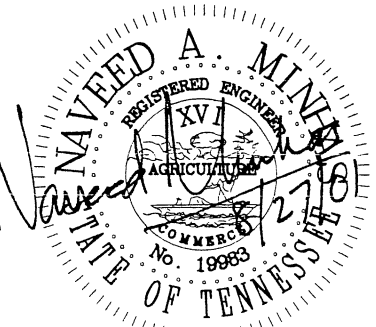


PROFILE

**DEEP SEWER**

**NOTES**

1. STANDARD BEDDING SHALL EXTEND 4" MINIMUM ON EACH SIDE OF THE PIPE.
2. FOR DEPTH LESS THAN 4', PIPE SHALL BE DUCTILE IRON.



NO.	REVISION	DATE
1	REVISIONS AS MARKED OR CLOUDED	8/24/01
0	INITIAL ISSUE	12/10/99

**CITY OF CHATTANOOGA AND HAMILTON COUNTY**

**SANITARY SEWER SERVICE CONNECTION AND LATERAL DETAIL**

DATE OF ORIGINAL ISSUE: **DECEMBER 10, 1999**

STANDARD NUMBER: **SD-303.01**

FULL DEPTH BACKFILL WITH 33-P\* STONE IN ROADWAYS (TYPICAL). REFER TO SD-700.01 AND SD-700.02 FOR BACKFILL.

FULL DEPTH BACKFILL WITH 33-P\* STONE IN ROADWAYS (TYPICAL). REFER TO SD-700.01 AND SD-700.02 FOR BACKFILL.

STANDARD BEDDING—REFER TO TRENCH DETAIL (SD-307.01) FOR BACKFILL REQUIREMENTS.

\* "33-P (PUG)" - 303-01, TYPE A, GRADING D ("33-P"), TENNESSEE D.O.T. SPECIFICATIONS.