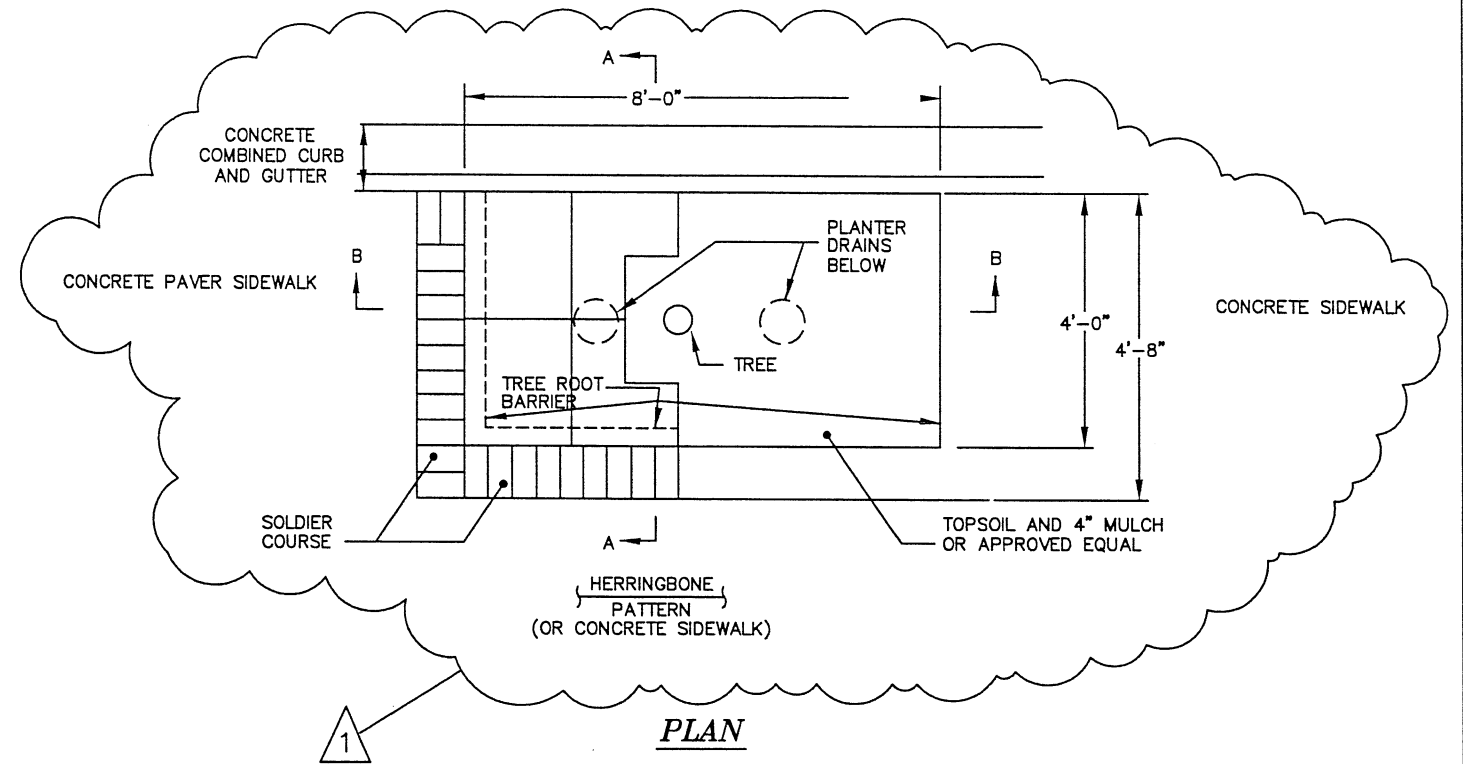
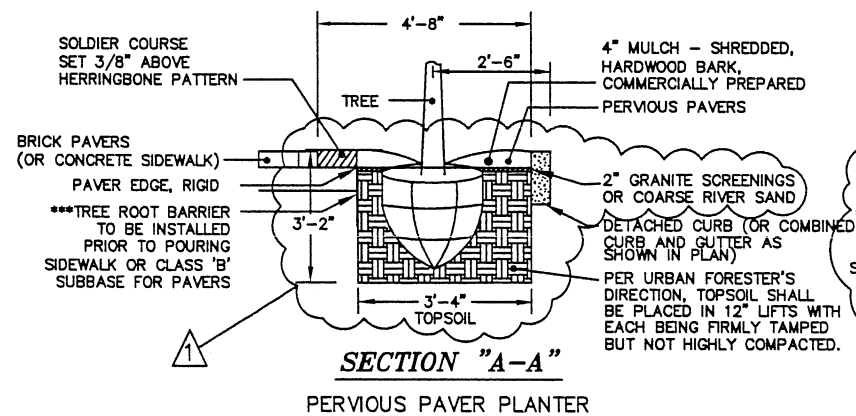


PLANTER DRAIN DETAIL

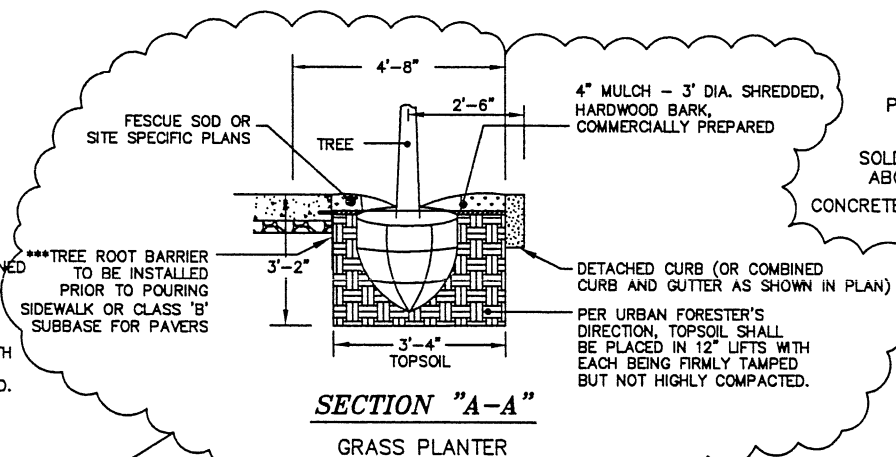


PLAN



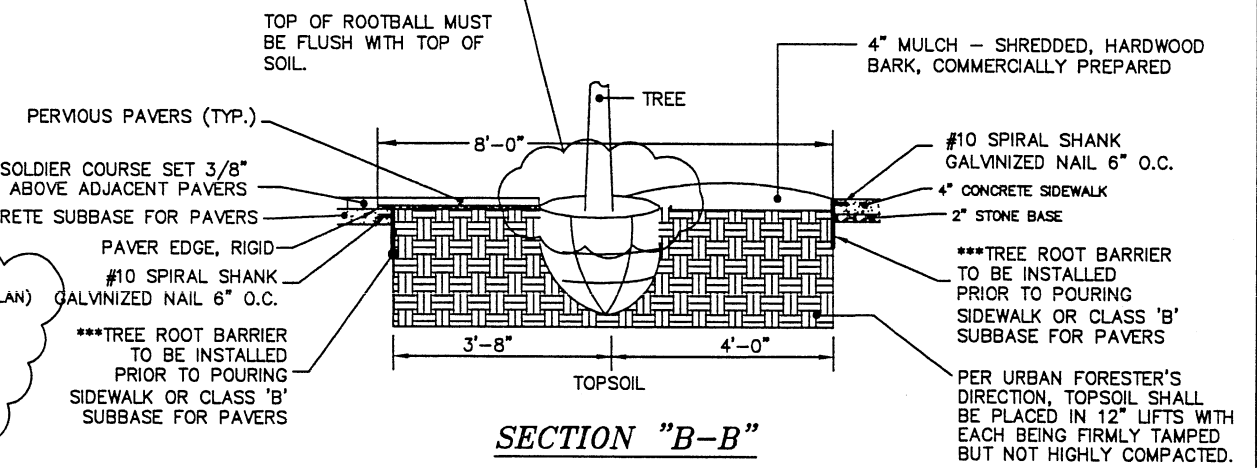
SECTION "A-A"

PERVIOUS PAVER PLANTER



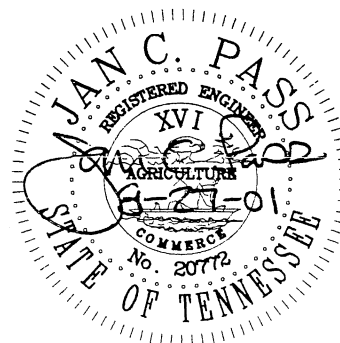
SECTION "A-A"

GRASS PLANTER



SECTION "B-B"

F:\STDDWG\TREEWELL\TREEWELL_1.dwg



1	REVISIONS AS MARKED OR CLOUDED	8/24/01
0	INITIAL ISSUE	12/10/99
NO.	REVISION	DATE

CITY OF CHATTANOOGA AND HAMILTON COUNTY
TREEWELL DETAILS

DATE OF ORIGINAL ISSUE
DECEMBER 10, 1999

STANDARD NUMBER: **SD-500.01**