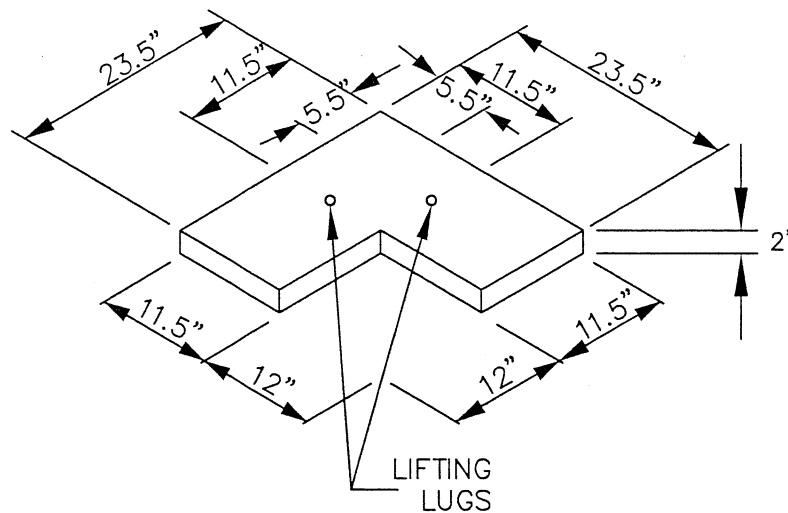
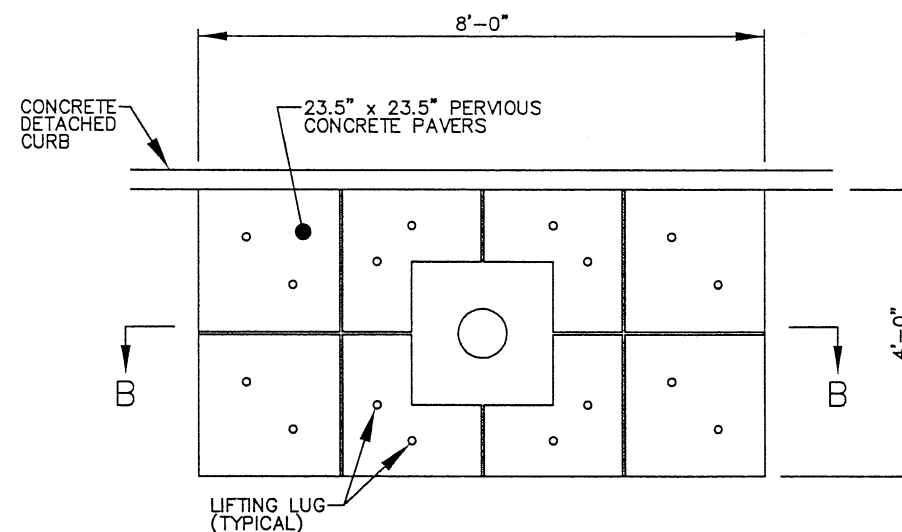


TYPE "A"



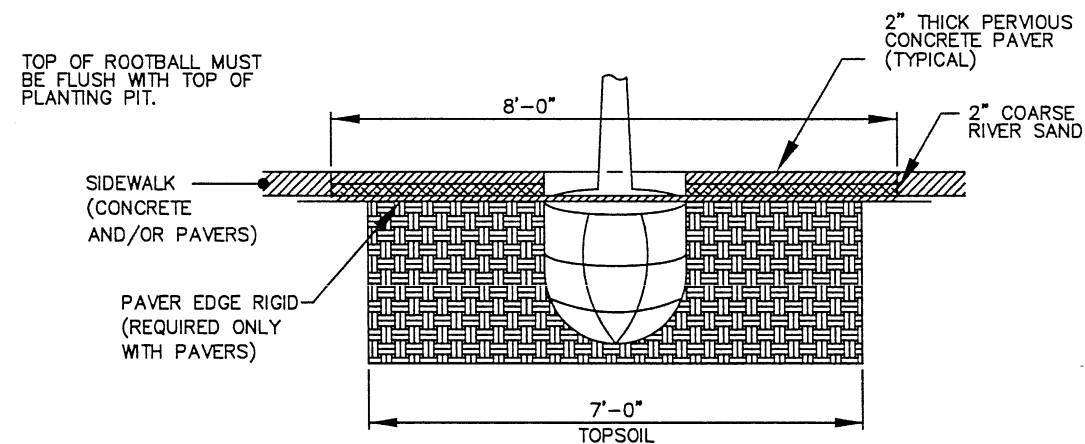
TYPE "B"



PLAN

NOTES

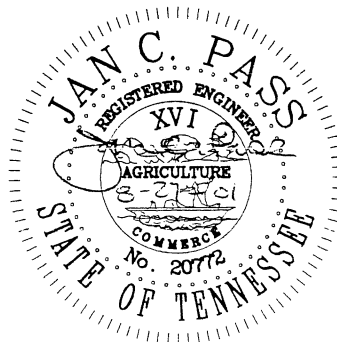
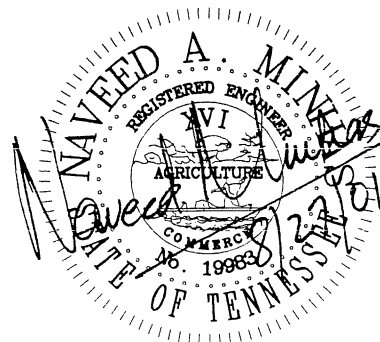
1. PERVIOUS CONCRETE PAVERS AS MANUFACTURED BY ARCHITECTURAL ORNAMENTAL CASTINGS OF TENNESSEE, LLC, OR APPROVED EQUAL - PAVERS SHALL BE CAPABLE OF ALLOWING PASSAGE OF A MINIMUM OF 70% OF WATER THROUGH BLOCK.
2. THE PAVERS SHALL BE CONSTRUCTED OF A MIXTURE OF #89 STONE, FIBERMESH, AND PORTLAND CEMENT.
3. COLOR - BRICK RED - WITH STANDARD 7% RED CEMENT COLOR FROM SOUTHERN COLOR, OR APPROVED EQUAL.
4. EACH PAVER SHALL HAVE INSTALLED LIFTING LUGS AS SHOWN TO FACILITATE INSTALLATION AND MAINTENANCE. LIFTING LUGS SHALL BE 1/2" FX-19 FERRULE WING INSERTS WITH 1/2" FC-18 THREADED PLASTIC PLUG BY MEADOW BURKE PRODUCTS, OR APPROVED EQUAL.
5. COARSE RIVER SAND SHALL BE SWEEPED INTO CRACKS (TYPICAL).
6. SEE STANDARD DRAWINGS SD-500.01 AND SD-500.02.



SECTION B-B

TREE PLANTER WITH PERVIOUS PAVERS

F:\STD\WGS\Pervious Pavers\Pervious trewell pavers.dwg



0	INITIAL ISSUE	8/24/01
NO.	REVISION	DATE

CITY OF CHATTANOOGA AND HAMILTON COUNTY
PERVIOUS CONCRETE PAVER DETAIL

DATE OF ORIGINAL ISSUE
AUGUST 24, 2001

STANDARD NUMBER : **SD-509.01**