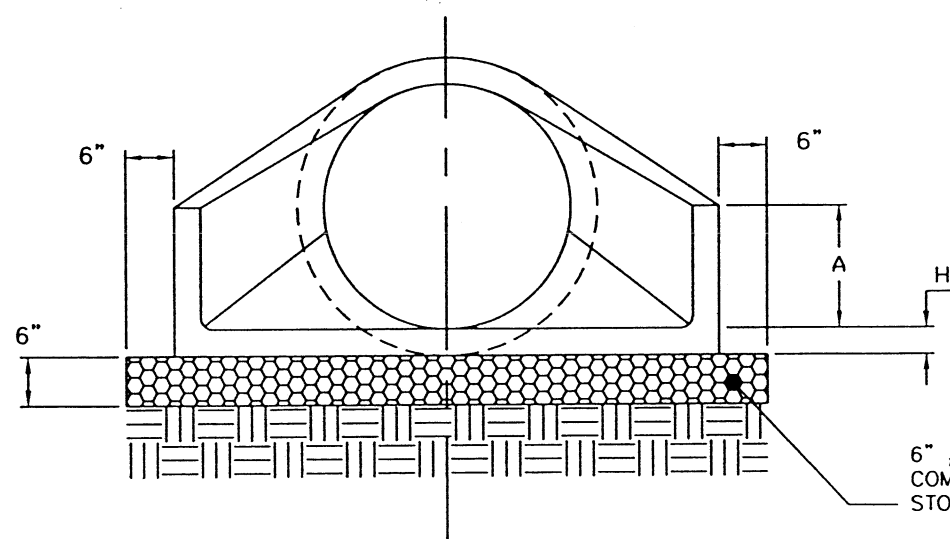


FLARED-END SECTION DIMENSIONS (INCHES)

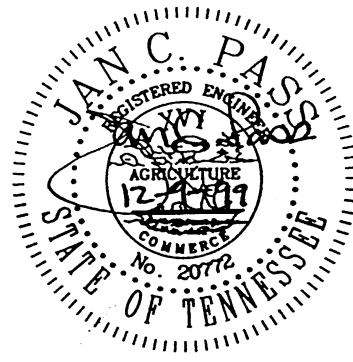
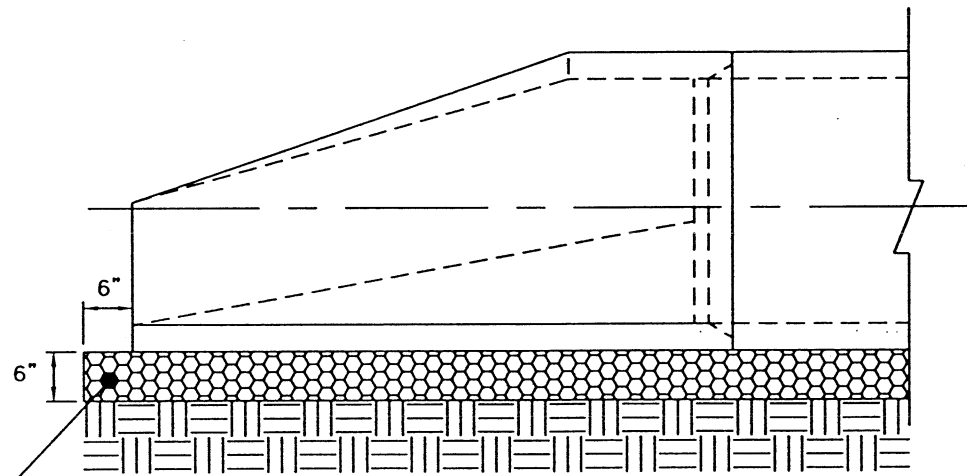
PIPE SIZE	A	B	C	D	E	F	G/T	H
15"	6.0	27.0	46.00	73.00	30	3.5	2.0	2.25
18"	9.0	27.0	46.00	73.00	36	4.0	2.5	2.50
24"	9.5	43.5	30.00	73.50	48	4.5	2.5	3.00
30"	12	54.0	19.75	73.75	60	5.0	3.0	3.25

NOTES

G DENOTES GROOVE - OUTLET END.
 T DENOTES TONGUE - INLET END.
 H DENOTES THE WALL THICKNESS.



6" #57
 COMPACTED
 STONE BASE



FRONT VIEW

RIGHT SIDE VIEW

0	INITIAL ISSUE	12/10/99
NO.	REVISION	DATE

CITY OF CHATTANOOGA AND HAMILTON COUNTY
CONCRETE ENDWALL (PRECAST/FLARED)

DATE OF ORIGINAL ISSUE
DECEMBER 10, 1999

STANDARD NUMBER: **SD-605.01**