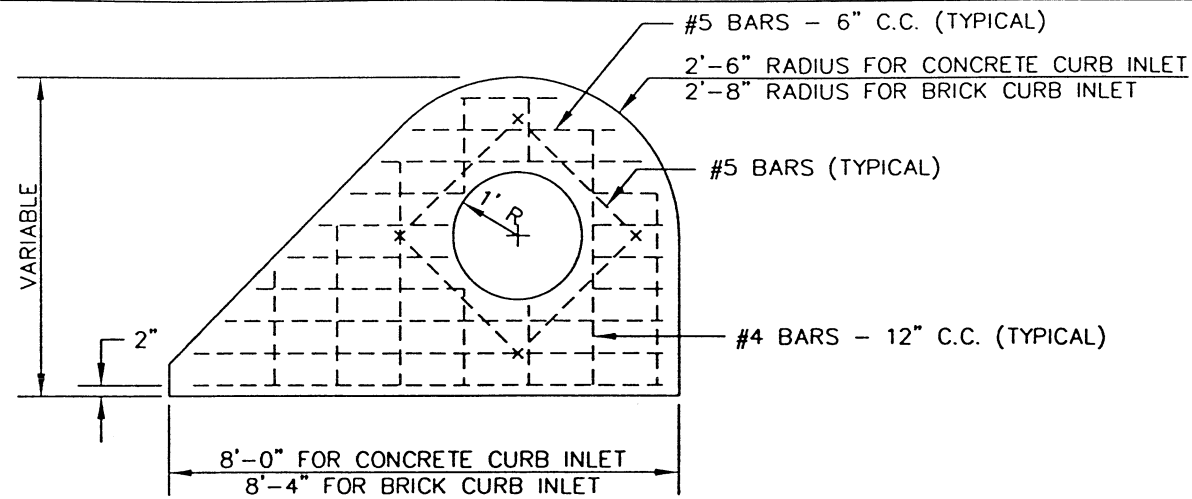
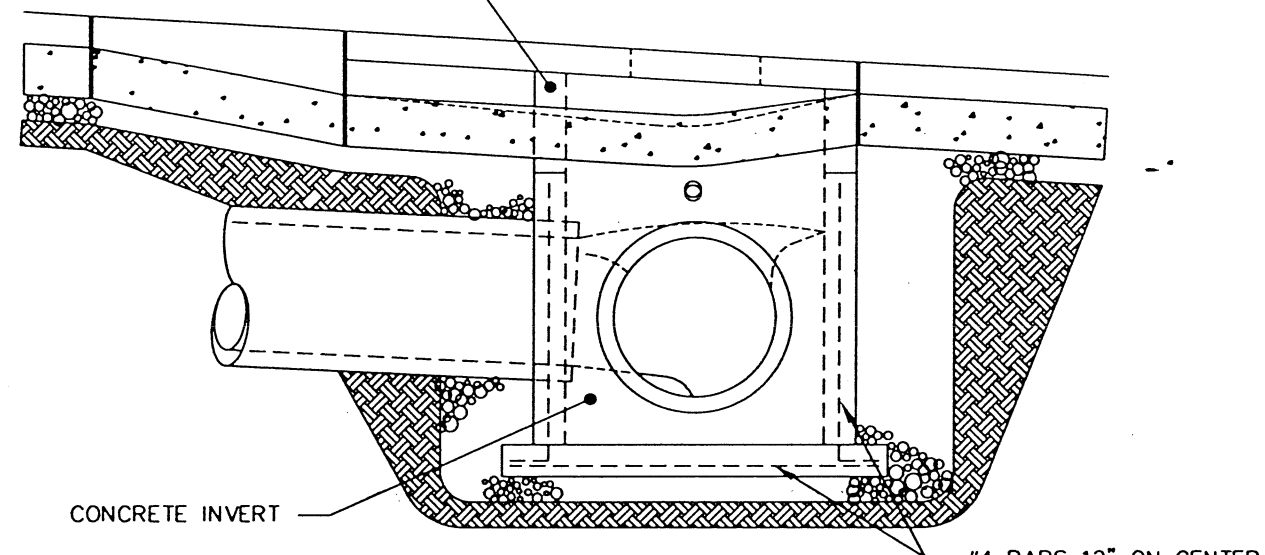


F:\STDWGS\CurbInlet\c-inlet\_1.dwg Wed Dec 08 15:25:39 1999 STATIONS 24

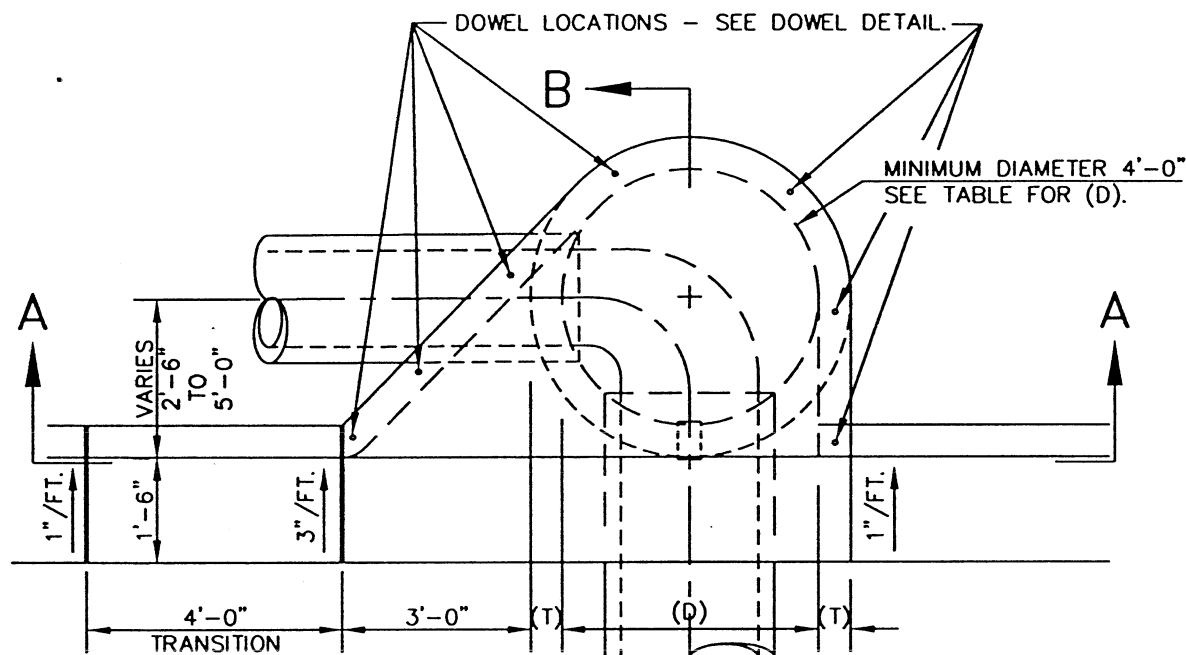


**LEFT HAND TOP SLAB**  
(D) = 4'-0"

TOP 18" OF BARREL SHALL BE CAST-IN-PLACE CONCRETE. LOWER PORTION MAY BE PRECAST OR CAST-IN-PLACE.



**SECTION A-A**

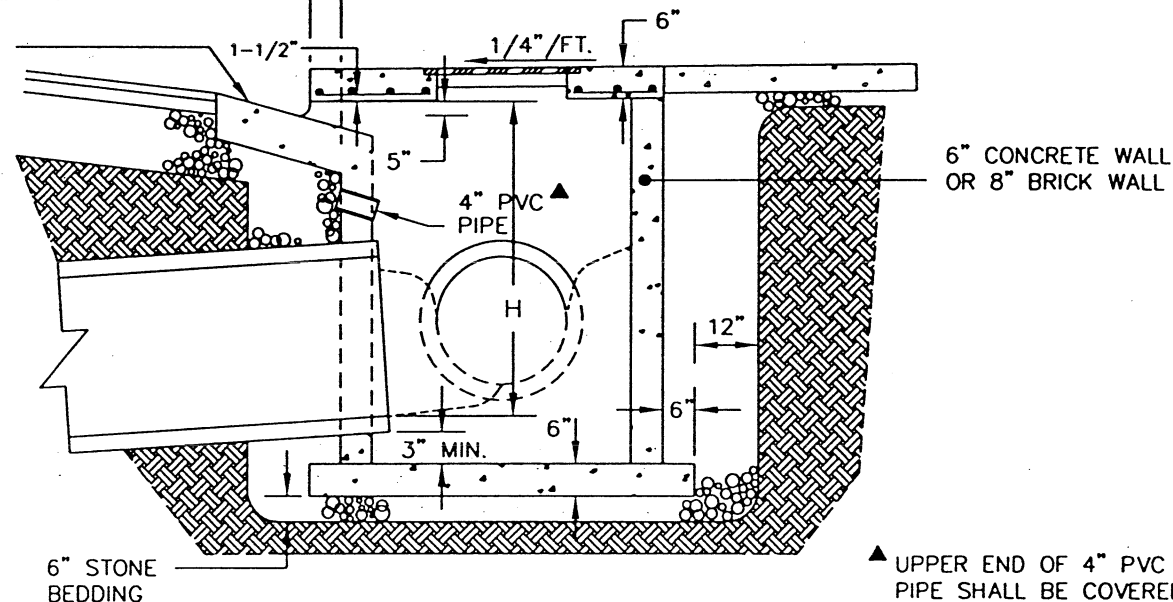


**ECCENTRIC CURB INLET** \*

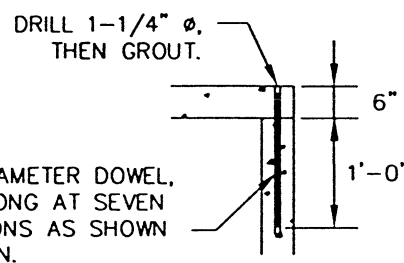
LEFT HAND PLAN - CONCRETE CONSTRUCTION SHOWN, BUT BRICK MAY BE USED.

VARIES FROM 0'-0" TO 2'-6" TO ACCOMMODATE EXISTING PIPING WITHIN THESE LIMITS

MAINTAIN SLOPE TO AVOID ACCUMULATION OF SEDIMENT.

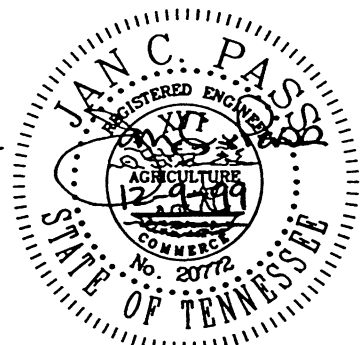
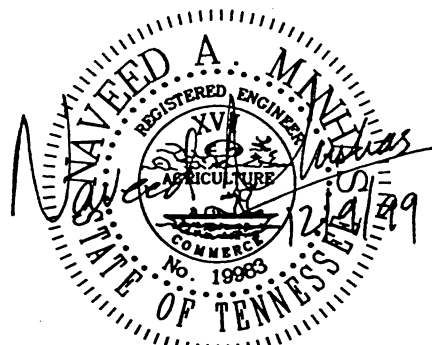


**SECTION B-B**



**DOWEL DETAIL**

\* SEE "NOTE" AT BOTTOM OF SD-609.02.



<b>CITY OF CHATTANOOGA AND HAMILTON COUNTY</b>		
<b>CURB INLET (CONCRETE/BRICK)</b>		
	DATE OF ORIGINAL ISSUE	
0	INITIAL ISSUE	12/10/99
NO.	REVISION	DATE
	DECEMBER 10, 1999	STANDARD NUMBER: SD-609.01