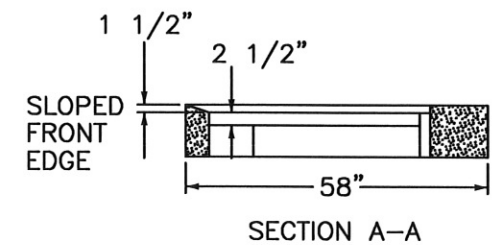
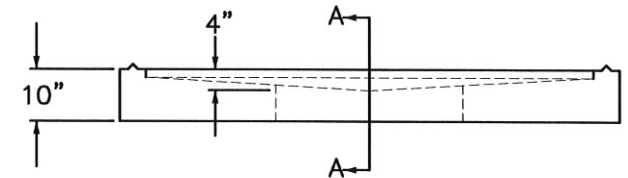
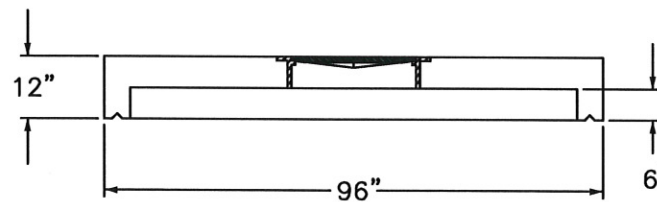
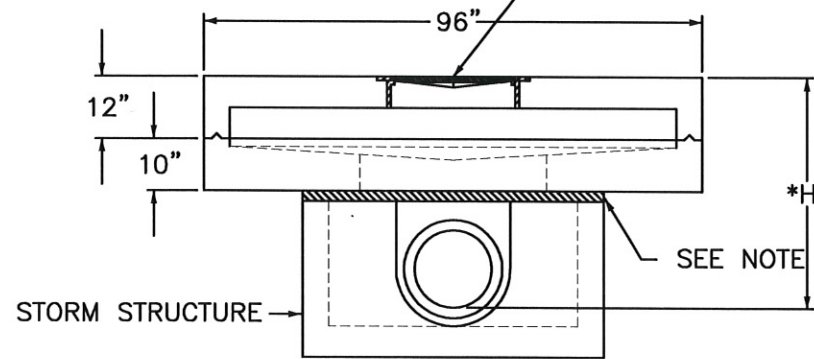
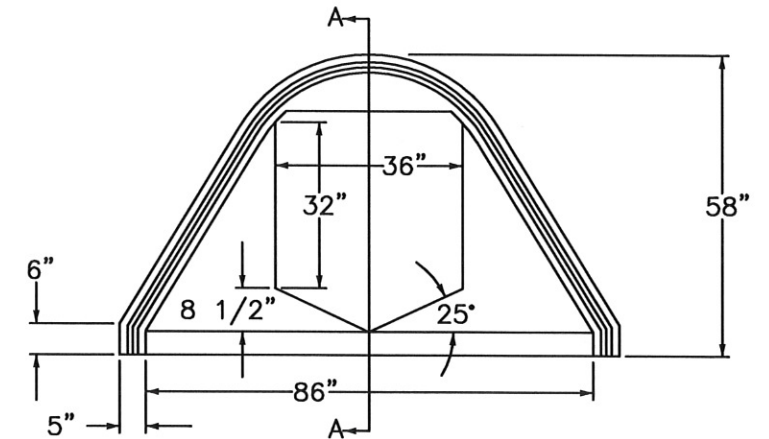
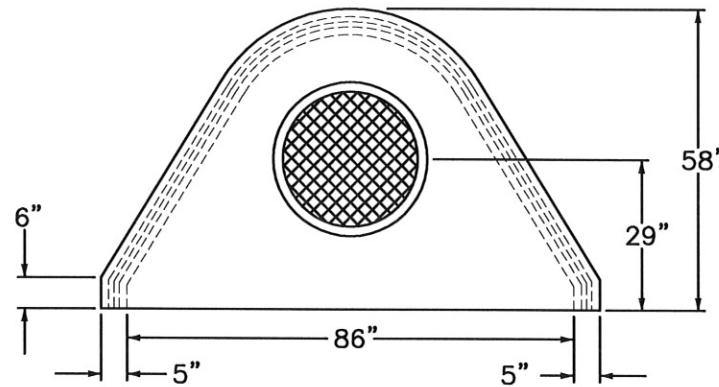
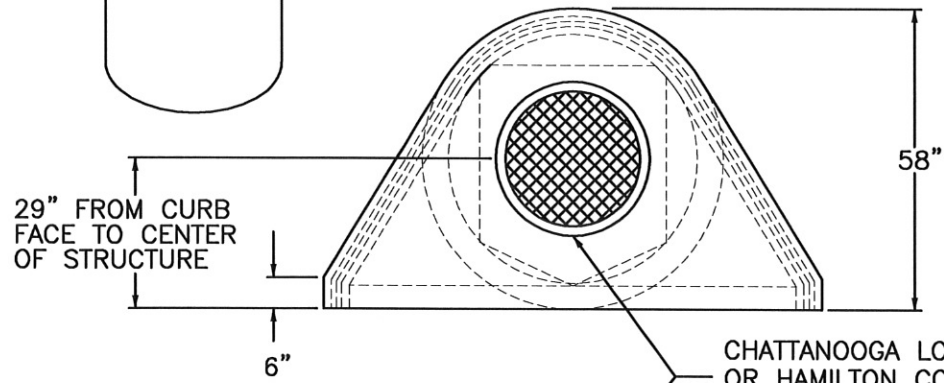
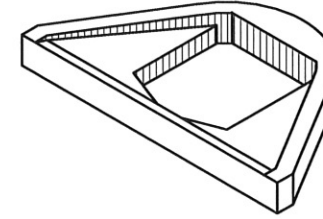
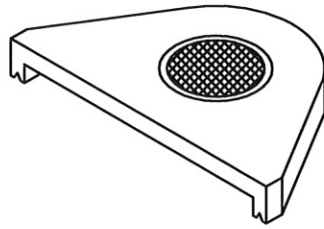
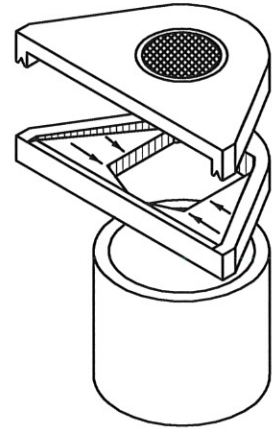


E:\Standard Drawings (AutoCAD)\7\_Drainage (SD-600)\SD-610.03.dwg



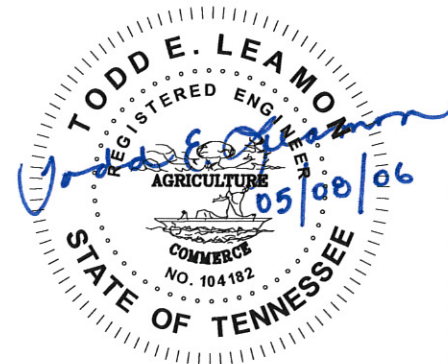
CHATTANOOGA LOGO JBS 1045  
OR HAMILTON COUNTY  
STANDARD CAST-IN

SEE NOTE

**NOTE**

4" OF ADJUSTMENT IF ROADWAY SLOPE IS EQUAL TO OR LESS THAN 5 PERCENT. IF ROADWAY SLOPE EXCEEDS 5 PERCENT, THEN ADDITIONAL ADJUSTMENT MUST BE USED UP TO A MAXIMUM OF 8".

\*H: SEE STANDARD  
SD-610.04



NO.	REVISION	DATE
1	CURB INLET-CENTER MOVED TO THIS SHEET AND UPDATED	3/27/06
0	INITIAL ISSUE	12/10/99

**CITY OF CHATTANOOGA AND HAMILTON COUNTY**  
**CURB INLET-CENTER (PRECAST CONCRETE)**

DATE OF ORIGINAL ISSUE  
**DECEMBER 10, 1999**

STANDARD NUMBER: **SD-610.03**